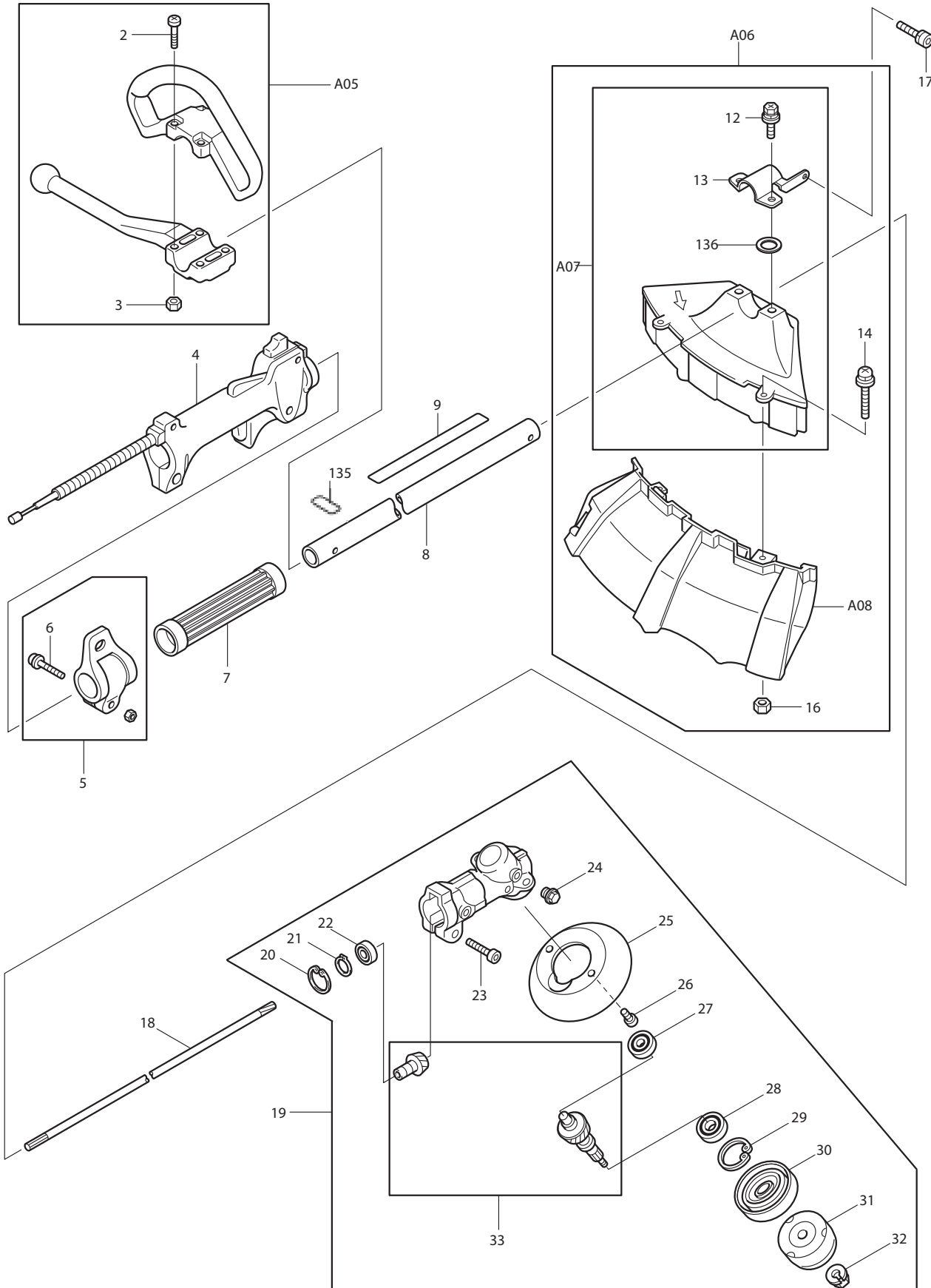
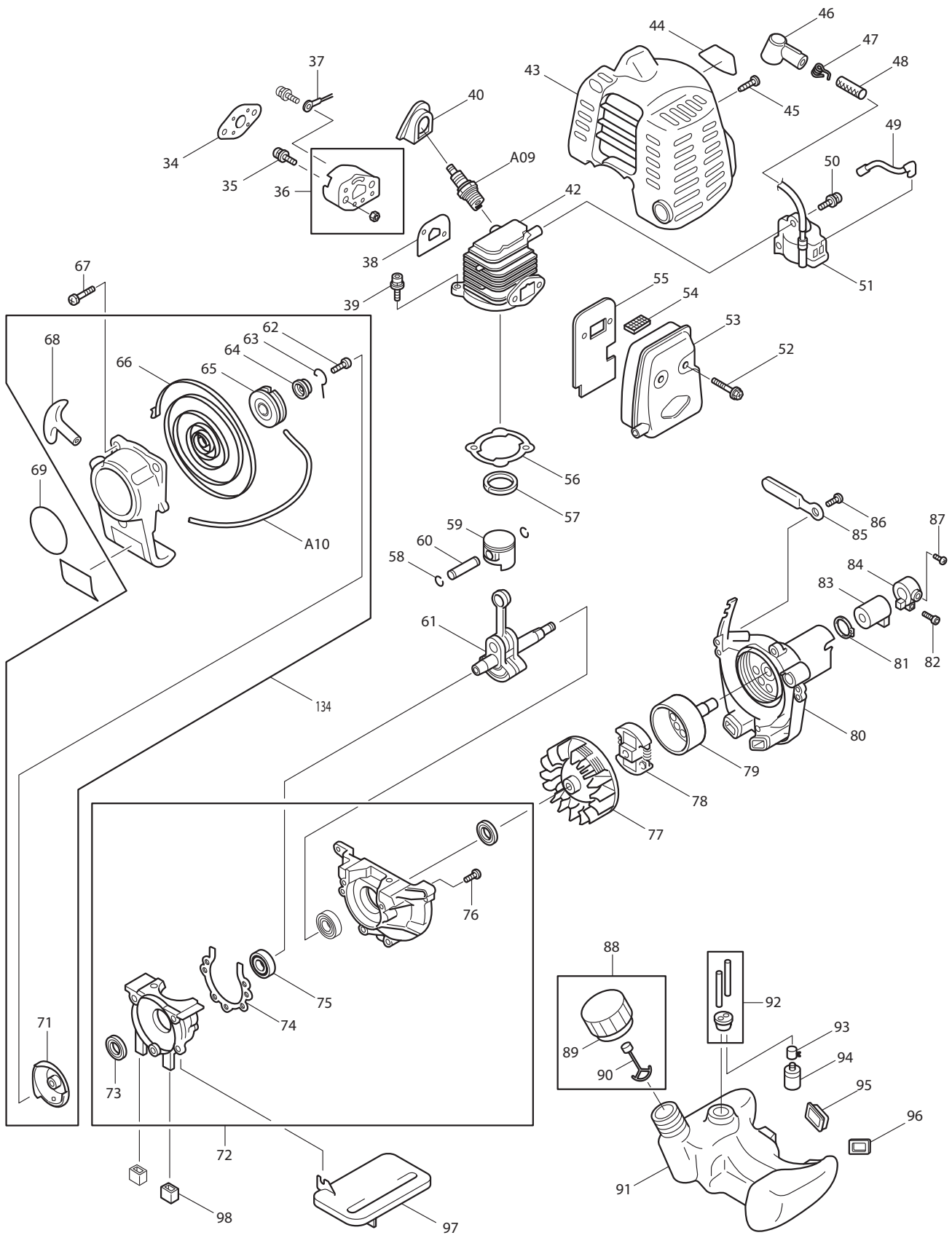
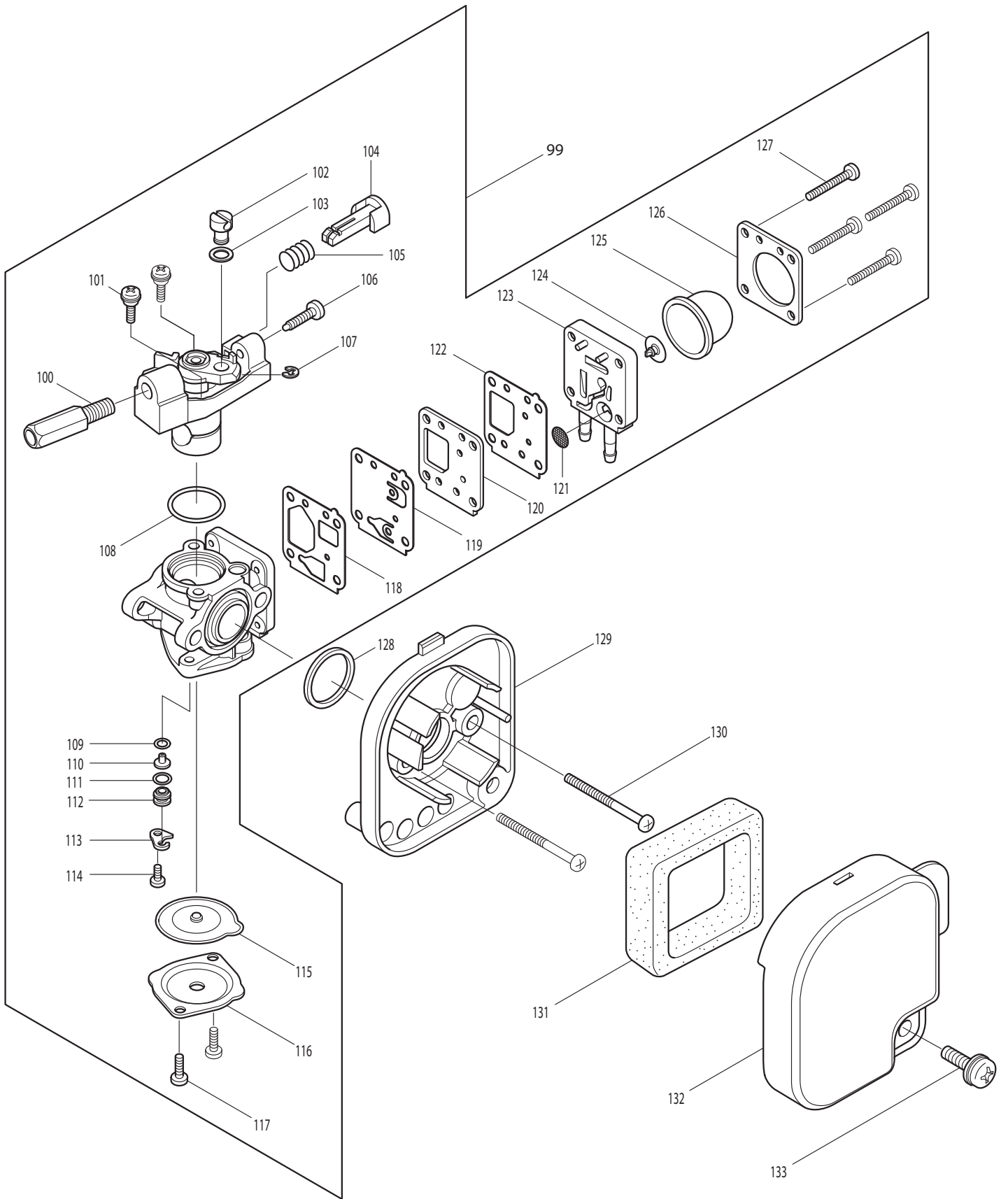




06 - 2010
RBC2110
21CC LINE TRIMMER







Item No.	Type	Sub	Part No.	Description	Qty	Unit
2	1		6214016030	SCREW	4	PC.
	2		266845-8	BINDING HEAD SCREW M5X25	4	PC.
3	1		002-27050-00	NUT M5	4	PC.
	2		264093-3	HEX. NUT M5	4	PC.
4			6195026000	CONTROL LEVER ASS'Y	1	PC.
	1	C10	0119059720	SOCKET HEAD BOLT M5X20	2	PC.
	2	C10	266698-5	HEX. SOCKET HEAD BOLT M5X20	2	PC.
	1	C20	6195006060	TAPPING SCREW M4X20	4	PC.
	2	C20	266584-0	TAPPING SCREW 4X20	4	PC.
		C30	6195026010	WIRE ASS'Y	1	PC.
		C40	6195026020	WIRE COMPL	1	PC.
	1	C50	6195006030	LEVER	1	PC.
	2	C50	451933-6	LONG LEVER	1	PC.
	1	C60	6195006050	SPRING	1	PC.
	2	C60	233568-3	TORSION SPRING	1	PC.
	1	C70	6215023060	LEVER	1	PC.
	2	C70	451934-4	STOP LEVER	1	PC.
	1	C80	6195006150	TOP	1	PC.
	2	C80	451936-0	TOP	1	PC.
	1	C90	6415011160	NUT	2	PC.
	2	C90	931203-4	HEX. NUT M5	2	PC.
5			6197005001	HANGER ASS'Y	1	PC.
		INC.		Item No. 6		
6	1		0140059360	SCREW & WASHER ASS'Y	1	PC.
	2		266788-4	PAN HEAD SCREW M5X20 WITH WR	1	PC.
8	1		6191001001	SHAFT PIPE COMPLETE	1	PC.
	2		141986-0	SHAFT PIPE COMPLETE	1	PC.
9			6199523000	CAUTION LABEL	1	PC.
12			0100069770	BOLTCROSSRECESS	2	PC.
13	1		6258508200	PROTECTOR CLAMP	1	PC.
	2		346493-0	PROTECTOR CLAMP	1	PC.
14			0140059380	SCREW ASSEMBLY	2	PC.
16	1		0021805000	NUT M5	2	PC.
	2		264035-7	HEX. NUT M5	2	PC.
17			0119059490	SOCKET HEAD BOLT M5X14 (WSW)	1	PC.
18	1		6191500401	SHAFT	1	PC.
	2		324893-4	SHAFT	1	PC.
19	1		6243006002	CASEGEAR ASSY	1	PC.
		INC.		Item No. 20-33		
	2		125476-1	CASEGEAR ASSY	1	PC.
		INC.		Item No. 20-33		
20	1		0031424000	INNER SNAP RING	1	PC.
	2		257987-9	RETAINING RING (INT)R-24	1	PC.
21	1		6193006120	OUTER SNAP RING	1	PC.
	2		257986-1	RETAINING RING (EXT) S-9	1	PC.
22	1		6212500300	BALL BEARING #609ZZ	1	PC.
	2		210049-4	BALL BEARING 609ZZ	1	PC.
23	1		0119059890	SOCKET HEAD BOLT M5X25	1	PC.
	2		266805-0	H.S.H.BOLT M5X25 WITH W	1	PC.
24	1		6253011012	OIL BOLT M6X9	1	PC.
	2		265578-2	+HEX.BOLT M6X8	1	PC.
25	1		6218500200	GUARD	1	PC.
	2		450653-9	GUARD	1	PC.
26	1		0140059390	SCREW ASSEMBLY	2	PC.
	2		265195-8	+PAN HEAD SCREW M5X12	2	PC.
27	1		0600069990	BALL BEARING 626ZZ	1	PC.
	2		210083-4	BALL BEARING 626	1	PC.
28	1		0600109910	BALL BEARING 6000DDU	1	PC.
	2		210082-6	BALL BEARING 6000DDU	1	PC.
29	1		0031426000	INNER SNAP RING	1	PC.

Item No.	Type	Sub	Part No.	Description	Qty	Unit
			257988-7	RETAINING RING (INT) R-26	1	PC.
30	1		6218501601	RECEIVE WASHER	1	PC.
	2		6218500000	RECEIVE WASHER	1	PC.
	3		332042-9	RECEIVE WASHER	1	PC.
31	1		6218003001	CLAMP COMPL. WASHER	1	PC.
	2		168481-5	CLAMP WASHER COMPLETE	1	PC.
	3		168797-8	CLAMP WASHER COMPLETE	1	PC.
32	1		6258505001	NUT	1	PC.
	2		264018-7	HEX.NUT M8	1	PC.
33	1		6243008002	CUTTER SHAFT SET	1	PC.
	2		195350-7	CUTTER SHAFT SET	1	PC.
34	1		5103502801	SPACER GASKET	1	PC.
	2		442177-9	GASKET AIR CLEANER	1	PC.
35	1		0140059500	SCREW M5X25	2	PC.
	2		266700-4	PAN HEAD SCREW M5X25	2	PC.
36	1		5233014000	INSULATOR COMPL.	1	PC.
	2		141056-5	INSULATOR COMPLETE	1	PC.
37	1		6165500201	WIRE	1	PC.
	2		638784-6	WIRE	1	PC.
38	1		5193500501	INSULATOR GASKET	1	PC.
	2		442175-3	INSULATOR GASKET	1	PC.
39	1		0119059730	SOCKET HEAD BOLT M5X20	2	PC.
	2		266814-9	HEX SOCKET HEAD BOLT M5X20	2	PC.
40	1		5197500100	PLUG CAP COVER	1	PC.
	2		424445-2	PLUG CAP COVER	1	PC.
42	1		5191500901	CYLINDER	1	PC.
	2		318785-7	CYLINDER	1	PC.
43	1		5195503000	COVERCYLINDER HD	1	PC.
	2		452973-7	CYLINDER COVER	1	PC.
44			6279505700	TRADE MARK LABEL 'MAKITA'	1	PC.
45	1		0150059790	TAPPING SCREW 5X14	1	PC.
	2		266702-0	TAPPING SCREW 5X14	1	PC.
46	1		0655009870	PLUG CAP	1	PC.
	2		424337-5	PLUG CAP	1	PC.
47	1		0654009931	PLUG CAP SPRING	1	PC.
	2		324891-8	PLUG CAP SPRING	1	PC.
48	1		0851089950	TUBE	1	PC.
	2		444021-6	TUBE	1	PC.
49	1		5197018000	WIRE COMPLETE	1	PC.
	2		141049-2	WIRE COMPLETE	1	PC.
50			0140049770	SCREW ASSY M4X16(WSW)	2	PC.
51	1		5197011010	IGNITION COIL	1	PC.
	2		168683-3	IGNITION COIL	1	PC.
52	1		0119059520	SOCKET HEAD BOLT M5X40	2	PC.
	2		266440-4	HEX SOCKET HEAD BOLT M5X40	2	PC.
53	1		5193001002	EXHAUST MUFFLER	1	PC.
		INC.		Item No. 54		
	2		168679-4	EXHAUST MUFFLER	1	PC.
		INC.		Item No. 54		
54			5193001050	SPARK ARRESTER	1	PC.
55	1		5193500002	INSULATORMUFFLER	1	PC.
	2		168680-9	MUFFLER GASKET	1	PC.
56	1		5191500301	CYLINDER GASKET	1	PC.
	2		442173-7	CYLINDER GASKET	1	PC.
57	1		5212500500	PISTON RING	1	PC.
	2		257320-5	PISTON RING	1	PC.
58	1		0565089970	CLIP	2	PC.
	2		233976-8	CLIP	2	PC.
59	1		5192501701	PISTON	1	PC.
	2		318831-6	PISTON	1	PC.

Item No.	Type	Sub	Part No.	Description	Qty	Unit
60	1		5192500500	PISTON PIN	1	PC.
	2		268277-5	PISTON PIN	1	PC.
61	1		5192001003	CRANKSHAFT COMPLETE	1	PC.
	2		141047-6	CRANK SHFT COMPLETE	1	PC.
62	1		5195002060	SET SCREW	1	PC.
	2		266585-8	TAPPING SCREW 5X12	1	PC.
63	1		5195002100	SWING ARM	1	PC.
	2		325923-4	SWING ARM	1	PC.
64	1		5195002110	COLLAR	1	PC.
	2		451938-6	COLLAR	1	PC.
65	1		5195002030	REEL	1	PC.
	2		452972-9	REEL	1	PC.
66	1		5195002050	SPIRAL SPRING	1	PC.
	2		234220-6	SPIRAL SPRING	1	PC.
67			0140049770	SCREW ASSY M4X16(WSW)	3	PC.
68	1		5225004020	HANDLE	1	PC.
	2		424319-7	STARTER KNOB	1	PC.
69			6199520100	MODEL LABEL	1	PC.
71	1		5195500000	PULLEY	1	PC.
	2		168483-1	PULLEY	1	PC.
72			5191004001	CRANK CASE ASS'Y	1	PC.
		INC.		Item No. 73-76		
73	1		0440109980	OIL SEAL	2	PC.
	2		213638-4	OIL SEAL	2	PC.
74	1		5191500400	CRANKCASE GASKET	1	PC.
	2		442174-5	CRANK CASE GASKET	1	PC.
75	1		0600109980	BALL BEARING 6000	2	PC.
	2		210086-8	BALL BEARING 6000	2	PC.
76	1		0140059520	SCREW M5X25	3	PC.
	2		266701-2	PAN HEAD SCREW M5X25	3	PC.
77	1		5197017010	FLYWHEEL	1	PC.
	2		318791-2	FLY WHEEL	1	PC.
78			6192002003	CLUTCH	1	PC.
79			6192001001	CLUTCH DRUM COMPLETE	1	PC.
80			6195004002	CLUTCH CASE COMPLETE	1	PC.
81			0031510000	OUTER SNAP RING 10	1	PC.
82	1		0119059880	SOCKET HEAD BOLT M5X25	1	PC.
	2		266712-7	HEX SOCKET HEAD BOLT M5X25	1	PC.
83	1		6191500203	PIPE DAMPER	1	PC.
	2		424461-4	PIPE DAMPER	1	PC.
84	1		6191501300	PIPE BRACKET	1	PC.
	2		318792-0	PIPE BRACKET	1	PC.
85	1		0566059980	CLAMP	1	PC.
	2		345963-6	CLAMP	1	PC.
86	1		0150059780	TAPPING SCREW M5X20	3	PC.
	2		266713-5	TAPPING SCREW 5X20	3	PC.
87	1		0119059850	SOCKET HEAD BOLT M5X14	1	PC.
	2		266711-9	HEX SOCKET HEAD BOLT M5X14	1	PC.
88	1		5256059000	FUEL TANK CAP COMPLETE	1	PC.
		INC.		Item No. 89,90		
	2		168668-9	FUEL TANK CAP COMPLETE	1	PC.
		INC.		Item No. 89,90		
89	1		5256058000	FUEL TANK CAP	1	PC.
	2		452920-8	FUEL TANK CAP	1	PC.
90	1		5256067000	STRAP	1	PC.
	2		140436-2	STRAP COMPLETE	1	PC.
91	1		5196500003	FUEL TANK	1	PC.
	2		452989-2	FUEL TANK	1	PC.
92	1		0851159850	TUBE	1	PC.
	2		162329-3	TUBE	1	PC.

Item No.	Type	Sub	Part No.	Description	Qty	Unit
93	1		0561059990	HOSE CLAMP	1	PC.
	2		345920-4	HOSE CLAMP	1	PC.
94	1		5236503900	FILTER	1	PC.
	2		163447-0	GASOLINE FILTER	1	PC.
95	1		5036500200	PLATE	1	PC.
	2		424102-2	PLATE	1	PC.
96	1		5036500300	PLATE	1	PC.
	2		424103-0	PLATE	1	PC.
97	1		5193500101	PLATE	1	PC.
	2		452988-4	MUFFLER PLATE	1	PC.
98	1		5216500200	DAMPER	2	PC.
	2		424446-0	DAMPER	2	PC.
99	1		5196043000	CARBURETOR	1	PC.
		INC.		Item No. 100-127		
	2		168682-5	CARBURETOR	1	PC.
		INC.		Item No. 100-127		
100	1		5196043010	STAY	1	PC.
	2		346510-6	STAY	1	PC.
101	1		5196043020	SCREW	2	PC.
	2		266720-8	TAPPING SCREW M3X10	2	PC.
102	1		5196019450	LEVER END	1	PC.
	2		326099-0	END LEVER	1	PC.
103	1		5196019460	WASHER	1	PC.
	2		267837-0	WASHER	1	PC.
104	1		5196036010	STARTER LEVER	1	PC.
	2		452976-1	STARTER LEVER	1	PC.
105	1		5196036020	STARTER SPRING	1	PC.
	2		234221-4	STARTER SPRING	1	PC.
106	1		5196019250	SLOW STOP SCREW	1	PC.
	2		266718-5	TAPPING SCREW M3X16	1	PC.
107	1		5196019510	E-RING	1	PC.
	2		259051-2	E-RING 4.5	1	PC.
108	1		5196019220	O-RING	1	PC.
	2		213630-0	O-RING 18	1	PC.
109	1		5196019150	O-RING	1	PC.
	2		213629-5	O-RING 2	1	PC.
110	1		5196032010	MAIN JET	1	PC.
	2		326100-1	MAIN JET	1	PC.
111	1		5196019410	O-RING	1	PC.
	2		213631-8	O-RING 4	1	PC.
112	1		5196019360	CHECK VALVE ASSY	1	PC.
	2		126052-4	CHECK VALVE ASSY	1	PC.
113	1		5196019420	GUIDE PLATE	1	PC.
	2		346509-1	GUIDE PLATE	1	PC.
114	1		5196019430	SCREW	1	PC.
	2		266721-6	TAPPING SCREW M2.6X6	1	PC.
115	1		5196019040	DIAPHRAGM ASSY	1	PC.
	2		126038-8	DIAPHRAGM ASSY	1	PC.
116	1		5196019050	DIAPHRAGM COVER	1	PC.
	2		346513-0	DIAPHRAGM COVER	1	PC.
117	1		5196019060	SCREW	2	PC.
	2		266715-1	TAPPING SCREW M3X8	2	PC.
118	1		5196019110	PUMP PACKING	1	PC.
	2		442176-1	PUMP PACKING	1	PC.
119	1		5196019120	PUMP DIAPHRAGM	1	PC.
	2		424460-6	PUMP DIAPHRAGM	1	PC.
120	1		5196019350	PUMP PLATE	1	PC.
	2		346508-3	PUMP PLATE	1	PC.
121	1		5196019330	FILTER	1	PC.
	2		352018-0	FILTER	1	PC.

Item No.	Type	Sub	Part No.	Description	Qty	Unit
122	1		5196019130	PUMP PACKING	1	PC.
	2		442178-7	PUMP PACKING	1	PC.
123	1		5196019340	PUMP COVER	1	PC.
		INC.		Item No. 121		
	2		452975-3	PUMP COVER	1	PC.
		INC.		Item No. 121		
124	1		5246009030	COMBINATION VALVE	1	PC.
	2		452977-9	COMBINATION VALVE	1	PC.
125	1		5246009040	PRIMING PUMP	1	PC.
	2		424462-2	PRIMING PUMP	1	PC.
126	1		5196019320	PRIMING PUMP PLATE	1	PC.
	2		346507-5	PRIMING PUMP PLATE	1	PC.
127	1		5196019140	SCREW	4	PC.
	2		266716-9	TAPPING SCREW M3X18	4	PC.
128	1		5193017040	O-RING	1	PC.
	2		213632-6	O-RING 14.8	1	PC.
129	1		5193018010	PLATEAIR CLEANER ASSY	1	PC.
	2		126036-2	AIR CLEANER PLATE ASSY	1	PC.
130	1		0043105600	PAN HEAD SCREW M5X60	2	PC.
	2		266695-1	PAN HEAD SCREW M5X60	2	PC.
131	1		5193017030	ELEMENTAIR CLEANER	1	PC.
	2		443168-3	AIR CLEANER PLATE ELEMENT	1	PC.
132	1		5193018020	CASEAIR CLEANER	1	PC.
	2		452971-1	AIR CLEANER CASE	1	PC.
133	1		0140059480	SCREW ASS'Y M5X14	1	PC.
	2		266809-2	P.H.SCREW M5X14 WITH WR	1	PC.
134	1		5195009000	REWIND STARTER	1	PC.
		INC.		Item No. 62-66,68,70,71		
	2		126037-0	RECOIL STARTER ASSEMBLY	1	
		INC.		Item No. 62-66,68,70,71		
135	1		6259514700	CAUTION LABEL	1	PC.
	2		808723-2	CAUTION LABEL	1	PC.
136			413143-3	WASHER	2	PC.
ACCESSORIES				- See Catalogue or visit www.makita.ca for more optional accessories -		
A01	1		6218016000	BUMP&FEED HEAD ASSY LH, BULK	1	PC.
	2		B-60143	BUMP&FEED HEAD ASSY LH (See Parts breakdown "Trimmer Head")	1	PC.
A02	1		6197004000	BAND ASSY	1	PC.
	2		126012-6	BAND ASSY	1	PC.
A03	1		6119019001	TOOL KIT	1	PC.
		INC.		Item No. A04		
	2		195508-8	ACCESSORY TOOL KIT	1	PC.
		INC.		Item No. A04		
A04	1		0717049990	HEX WRENCH	1	PC.
	2		783223-2	HEX WRENCH 4	1	PC.
A05	1		6214017000	HANDLE COMPLETE	1	PC.
		INC.		Item No. 2,3		
	2		125568-6	HANDLE ASSEMBLY	1	PC.
		INC.		Item No. 2,3		
A06			6198014001	PROTECTOR ASS'Y	1	PC.
		INC.		Item No. A07, A08, 14, 16		
A07			6258061002	PROTECTOR ASSY	1	PC.
		INC.		Item No. 12,13,136		
A08			6198008001	PROTECTOR COMPLETE	1	PC.
A09	1		0650149710	SPARK PLUG	1	PC.
	2		965 603 014	SPARK PLUG (BPMR7A)	1	PC.
	3		168588-7	SPARK PLUG (BPMR7A)	1	PC.

Item No.	Type	Sub	Part No.	Description	Qty	Unit
A10	1		5255016020	STARTER ROPE	1	PC.
	2		444024-0	STARTER ROPE	1	PC.
A11	Opt.		B-02951	TRIMMEDR HEAD, MANUAL (Component parts are not available)	1	PC.
A12	Opt.1		6418017000	ULTRA AUTO 4, BULK	1	PC.
	Opt.2		B-02945	02945)	1	PC.
A13	Opt.		6218020001	6218020001)	1	PC.